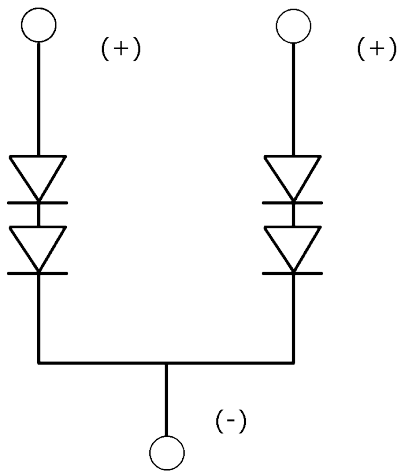


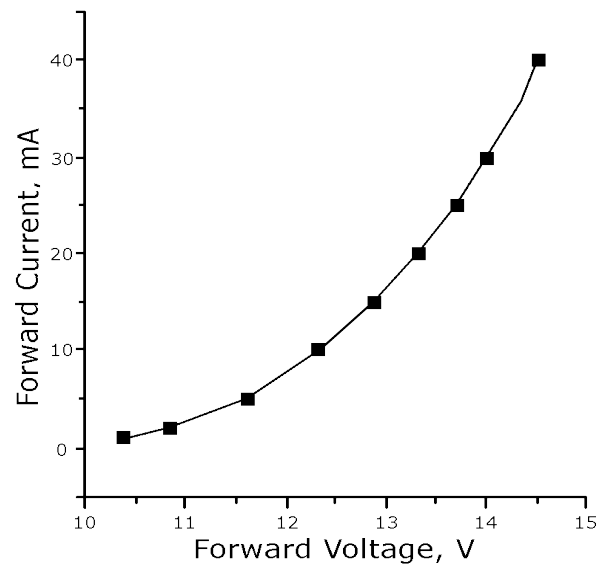
Custom Diode Configuration

UV LED lamps can be configured in custom wiring designs to achieve alternative I-V and device performance characteristics.

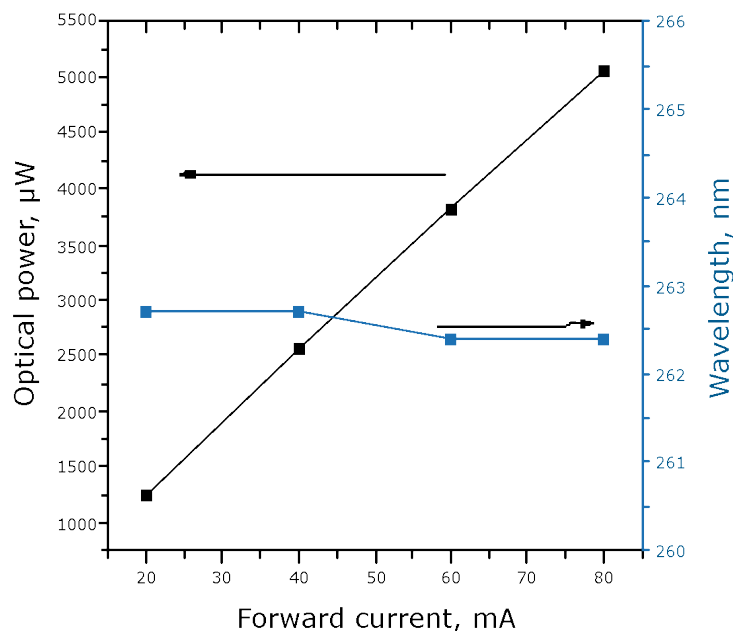
Series/Parallel Configuration with 2 Anodes and 1 Cathode



I-V Curve



L-I Curve displaying Wavelength Stability



Graphs showing UVCLEAN[®] 260 in T0-39 in configuration shown above.

